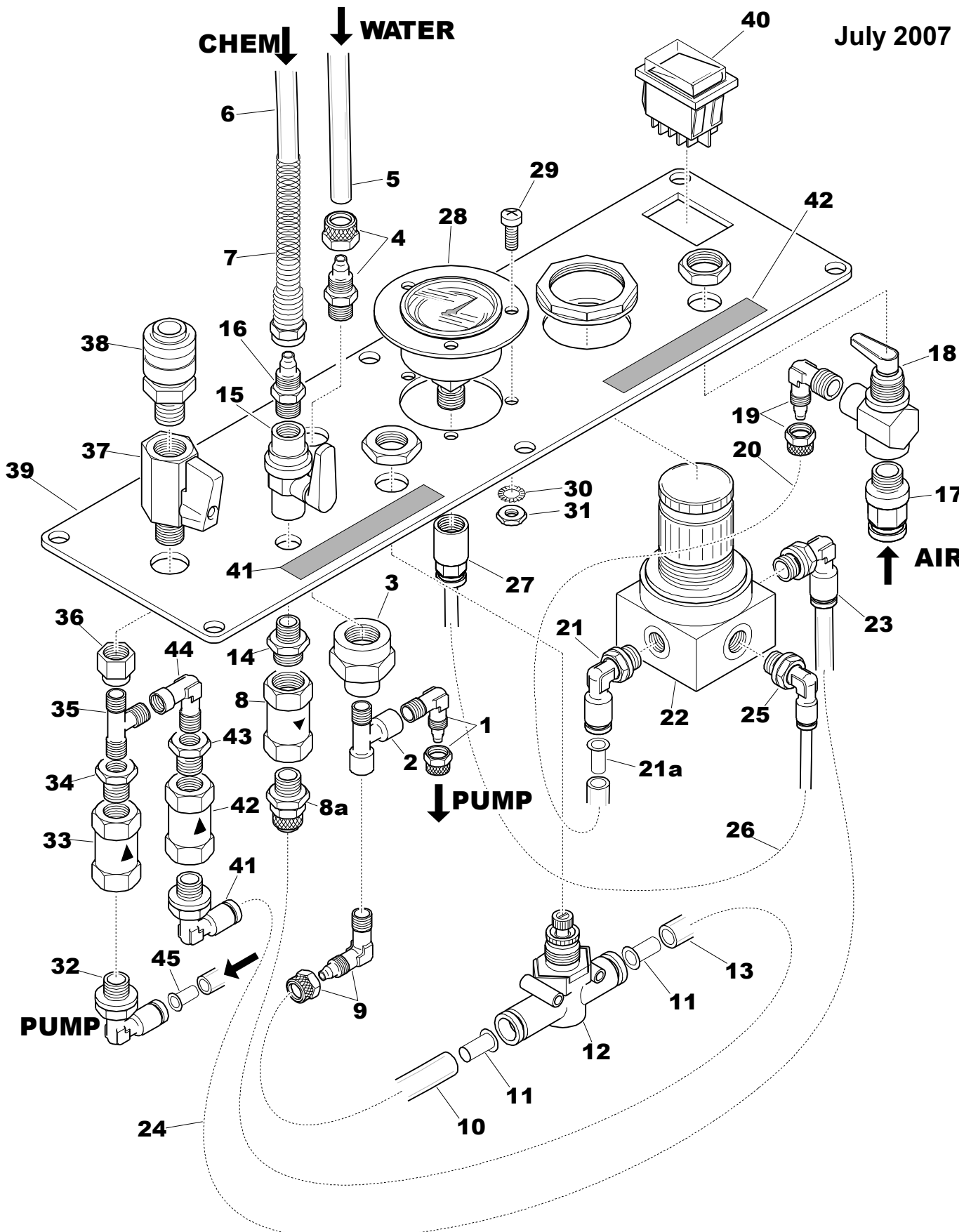


**PANNELLO COMPLETO SABRINA-FOAM-RINSE
COMPLETE PANEL FOR SABRINA-FOAM-RINSE**

**TAVOLA 58
TABLE 58**

July 2007



MACCHINA AD INIEZIONE-ESTRAZIONE MODELLO SABRINA FOAM RINSE
INJECTION-EXTRACTION MACHINE MOD. SABRINA FOAM RINSE
TAVOLA 58
TABLE 58

rif	codice	descrizione	description
1	605	RACCORDO GOMITO C5 M.1/8 PER TUBO 6/8	ELBOW C5 8-1/8
2	72232	RACCORDO A T FFM A13 1/8	COUPLING – T – FFM A13 1/8
3	6842	RACCORDO RIDUZIONE A6 F3/8- F1/8	COUPLING A6 F3/8 – F1/8
4	6164	RACCORDO DIRITTO C1Z 8/6-3/8	COUPLING C1Z 8/6 3/8
5	73520	TUBO EXTRAFLEX 6/8 L=40CM	EXTRAFLEX PIPE 6/8 L=40 CM
6	73520	TUBO EXTRAFLEX 6/8 L=40CM	EXTRAFLEX PIPE 6/8 L=40 CM
7	6160.2	MOLLA PER INNESTO A CALZARE TUBO 6/8	SPRING FOR PIPE 6/8
8	7551	UNIDIREZIONALE IN OTTONE F.3/8 - F.3/8	ONE-WAY COUPLING F.3/8 – 3/8
8A	6164	RACCORDO DIRITTO C1Z8/6-3/8 SENZA MOLLA	COUPLING C1Z 8/6 3/8 WITHOUT SPRING
9	605	RACCORDO GOMITO C5 M.1/8 PER TUBO 6/8	ELBOW C5 8-1/8
10	74401	TUBO RILSAN SPIRALE 6/8 L= 24CM	SPIRAL RILSAN PIPE 6/8 L=24CM
11	7491	OGIVA PER TUBO 6/8	OGIVE FOR PIPE DIAM. 6/8
12	6173	RUBINETTO REGOLAZ DETERGENTE	CHEMICAL REGULATION VALVE
13	74401	TUBO RILSAN SPIRALE 6/8 L= 24CM	SPIRAL RILSAN PIPE 6/8 L=24CM
14	7381	RACCORDO NIPPOLO A1 3/8-1/8 CILINDRICO	NIPPLE A1 3/8 1/8
15	6171	RUBINETTO A LEVA F-F1/8"	VALVE FF 1/8"
16	616	RACCORDO DIRITTO C1 8/6-1/8	COUPLING C1 8/6 1/8
17	703	INNESTO AUTOM. F-ATT.M. R1 8 1/8	AUTOMATIC COUPLING F ATT.M. R1 8 1/8
18	6172	RUBINETTO A LEVA A PANNELLO 90° 1/8	VALVE WITH PANEL LEVER 90° 1/8
19	605	RACCORDO GOMITO C5 M.1/8 PER TUBO 6/8	ELBOW C5 8-1/8
20	74402	TUBO RILSAN SPIRALE 6/8 L= 14CM	SPIRAL RILSAN PIPE 6/8 L=14CM
21	6053A	INNESTO AUTOM. GOMITO R31 8-1/8	AUTOMATIC COUPLING ELBOW R31 8-1/8
21A	7491	OGIVA PER TUBO 6/8	OGIVE FOR PIPE DIAM. 6/8
22	49091	REGOLATORE DI PRESSIONE ARIA	AIR PRESSURE REGULATOR
23	6053A	INNESTO AUTOM. GOMITO R31 8-1/8	AUTOMATIC COUPLING ELBOW R31 8-1/8
24	74401	TUBO RILSAN SPIRALE 6/8 L=24cm	SPIRAL RILSAN PIPE 6/8 L=24 cm
25	6052A	INNESTO AUTOM. GOMITO R31 4-1/8	AUTOMATIC COUPLING ELBOW R31 4-1/8
26	6934	TUBO RILSAN 2,5/4 L=20cm	RILSAN PIPE 2,5/4 L=20cm
27	7141	INNESTO AUTOM. F-ATT.F. R2 4-1/8	AUTOMATIC COUPLING F.-ATT.F. R2 4-1/8
28	900	MANOMETRO A PANNELLO PER ARIA	MANOMETER FOR AIR
29	53501	VITE TC+3x14	SCREW TC+3X14
30	52103	RONDELLA DENTELLATA DIAM.3	LOCKING WASHER DIAM. 3
31	58603	DADO OTTONE DIAM.3	BRASS NUT DIAM. 3
32	6054A	INNESTO AUTOM. GOMITO R31 8-3/8	AUTOMATIC COUPLING ELBOW R31 8-/8
33	7551	UNIDIREZIONALE FF 3/8	ONE-WAY COUPLING FF 3/8
34	7672	RACCORDO RIDUZIONE A4/Z F.1/8 - M.3/8	COUPLING A4/Z F.1/8 – M.3/8
35	7220	RACCORDO A T MMM A16 1/8	COUPLING "T" MMM A16 1/8
36	684	RACCORDO RIDUZIONE A6 1/4-1/8	COUPLING A6 1/4-1/8
37	751	VALVOLA MF 1/4	VALVE MF ¼
38	687-PE	INNESTO RAPIDO F. ATT. M.. ¼	QUICK DISCONNECT F. ATT. M. 1/4
39	49031	PANNELLO COMANDI PER SABRINA-FOAM-RINSE	CONTROL PANEL FOR SABRINA FOAM RINSE
40	2171	INTERRUTTORE LUMINOSO	LUMINOUS SWITCH
41	6054A	INNESTO AUTOM. GOMITO R31 8-3/8	AUTOMATIC COUPLING ELBOW R31 8-/8
42	7551	UNIDIREZIONALE FF 3/8	ONE-WAY COUPLING FF 3/8

Santoemma srl

 Via Piave, 22/C - 20016 PERO (Milano) – Italy
 Tel. +39.02.3391 2487 Fax +39.02.3391 2538
 www.santoemma.com E-mail: santoemma@santoemma.com



Santoemma

Professional Cleaning Machines

MACCHINA AD INIEZIONE-ESTRAZIONE MODELLO SABRINA FOAM RINSE

TAVOLA 58

43	7672	RACCORDO RIDUZIONE A4/Z F.1/8 - M.3/8	COUPLING A4/Z F.1/8 – M.3/8
44	626	GOMITO MF 1/8	ELBOW MF 1/8
45	7491	OGIVA PER TUBO 6/8	OGIVE FOR PIPE DIAM. 6/8

Santoemma srl

Via Piave, 22/C - 20016 PERO (Milano) – Italy

Tel. +39.02.3391 2487 Fax +39.02.3391 2538

www.santoemma.com E-mail: santoemma@santoemma.com